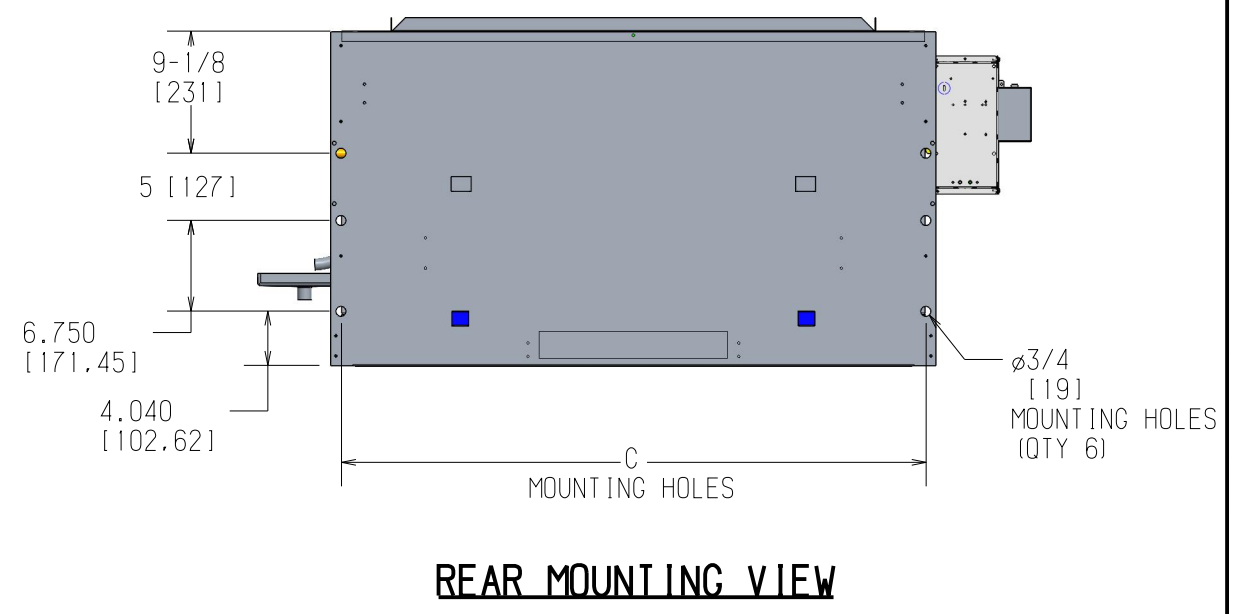
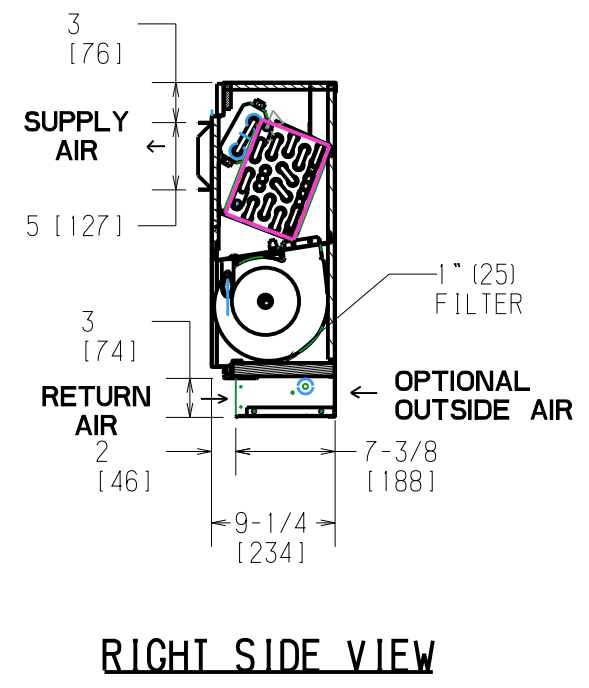
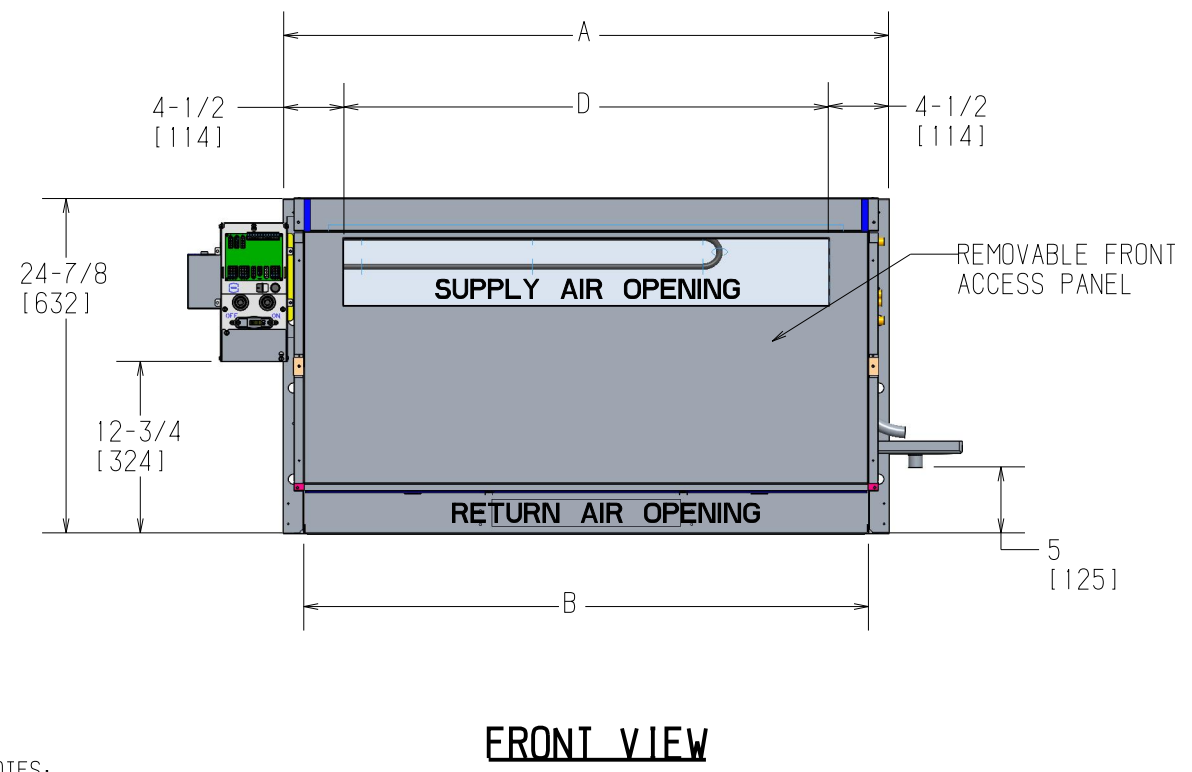
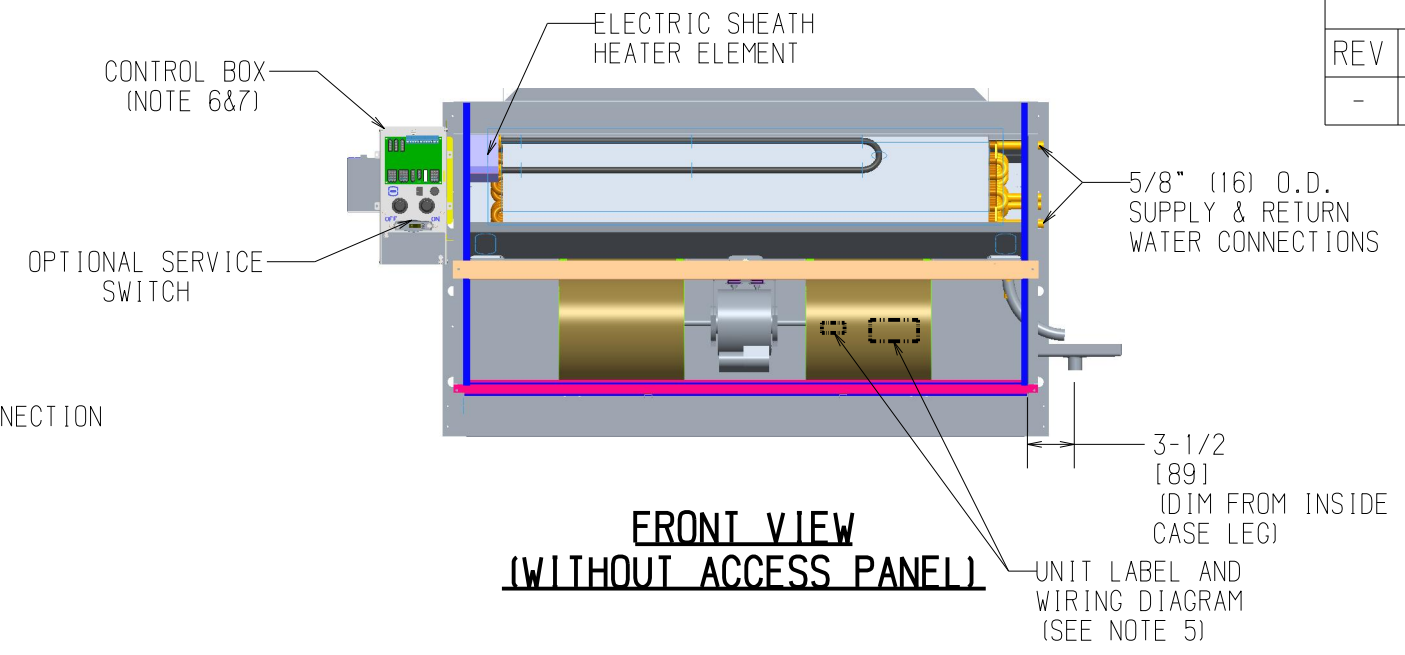
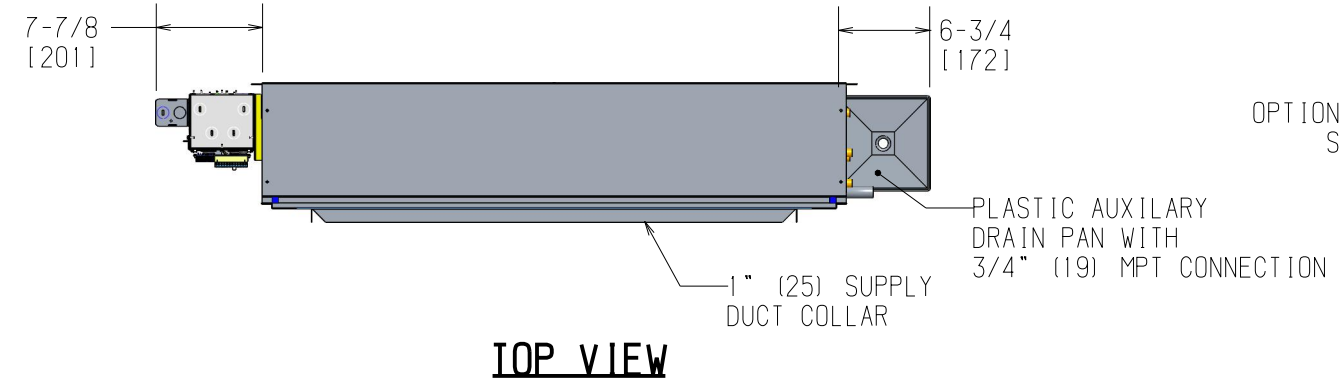


REVISION HISTORY		
REV	DATE	ECN
-	03/11/21	21-0295



- NOTES:
1. RH COIL SHOWN. LH OPPOSITE.
  2. ALL DIMENSIONS ARE +/- .25 (6). DRAWING NOT TO SCALE.
  3. PRODUCT SPECIFICATIONS ARE SUBJECT TO CHANGE WITHOUT NOTICE.
  4. CONTROL BOX SIZE AND POSITION MAY VARY (CONSULT FACTORY)
  5. POSITION MAY VARY.
  6. SERVICE ACCESS IS LOCATED ON THE FRONT OF THE CONTROL BOX.
  7. KNOCKOUTS ON THE BOTTOM AND SIDE OF THE CONTROL BOX FOR INCOMING POWER CONNECTIONS

Unit Model	Dimensions - Inches (Millimeters)				Quantity/Unit	
	A	B	C	D	Blower	Motor
FHY 02	25 (635)	22 (559)	23-1/2 (597)	16 (406)	1	1
FHY 03	29 (737)	26 (660)	27-1/2 (698)	20 (508)	1	1
FHY 04	35 (889)	32 (813)	33-1/2 (851)	26 (660)	2	1
FHY 06	45 (1143)	42 (1067)	43-1/2 (1105)	36 (914)	2	1
FHY 08	47 (1194)	44 (1118)	45-1/2 (1156)	38 (965)	2	1
FHY 10	61 (1549)	58 (1473)	59-1/2 (1511)	52 (1321)	4	2
FHY 12	69 (1753)	66 (1676)	67-1/2 (1751)	60 (1524)	4	2

TITLE: VERT HIDEAWAY FRONT SPLY ELECTRIC HEAT

DWG NO: **1100-90044345**      REV: -

DRAWN: K.LIETZ	DATE: 03/20/12	APPROVED: J.GRAVES	DATE: 03/20/12
----------------	----------------	--------------------	----------------